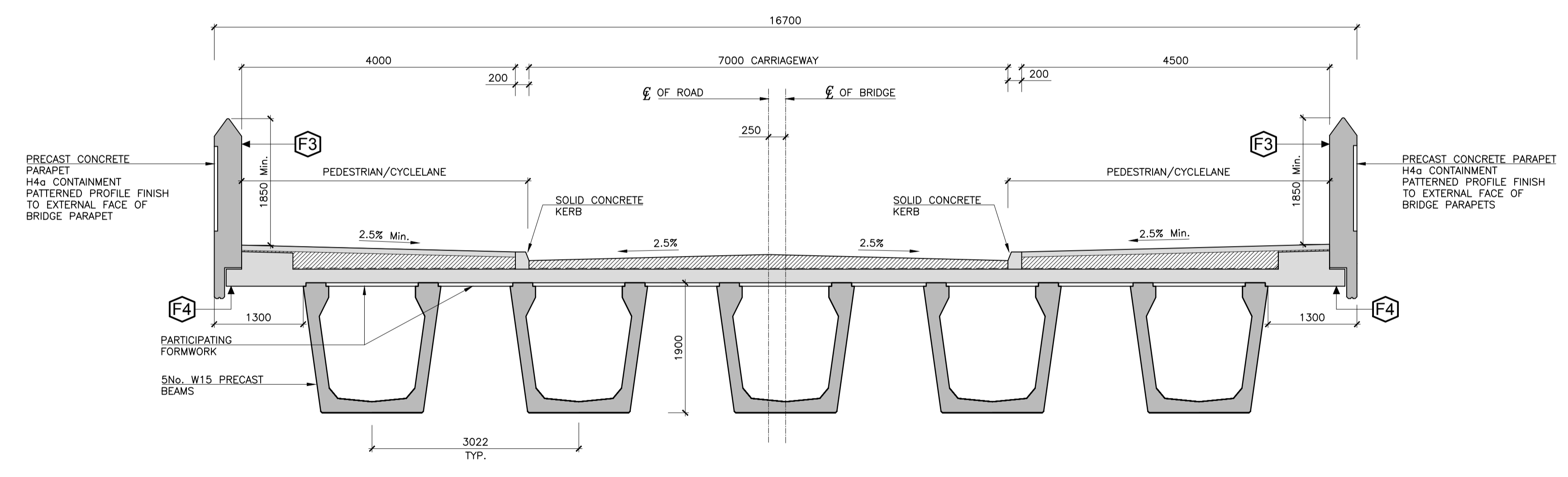
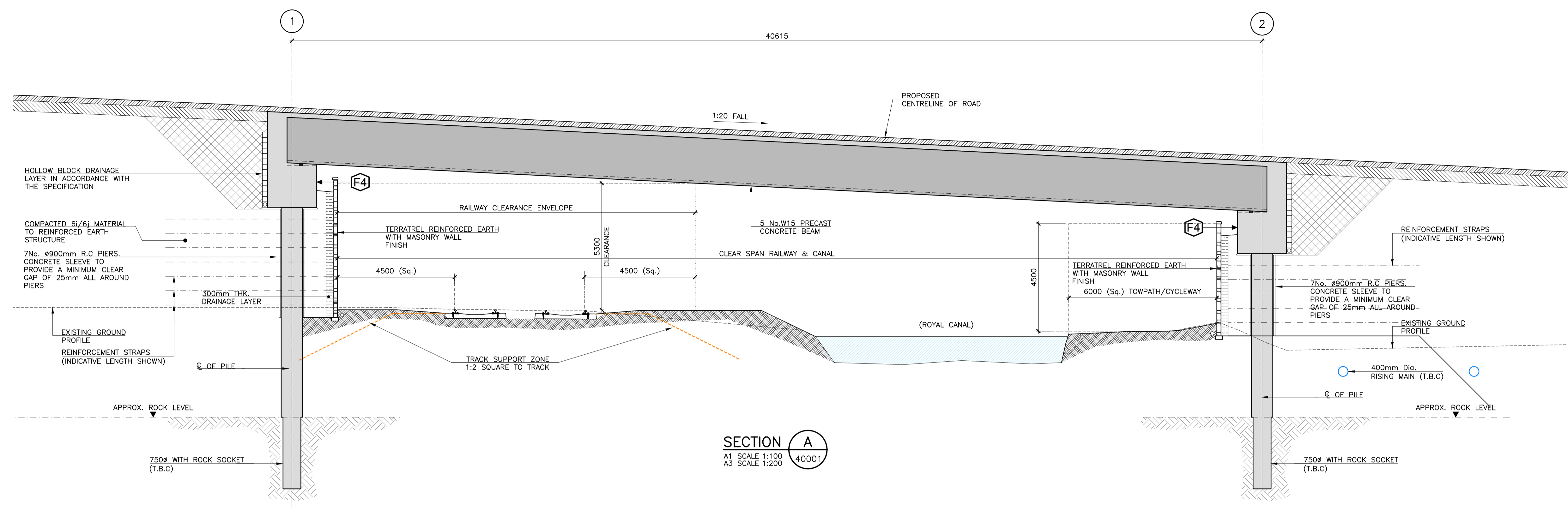


NOTES
 1. ALL DIMENSIONS ARE IN MILLIMETERS UNLESS NOTED OTHERWISE



Roads Transportation and Public Safety Dept.
 Roads Design Office
 Director of Services - Mr Niall Morrissey
 Senior Engineer - Mr. John Coppinger, BE, C Eng, MIEI.
 Kildare County Council, Comhairle Chontae Cill Dara
 Áras Chill Dara, Devoy Park, Naas, Co.Kildare
 T:+353-45-980424 F:+353-45-980420 E: roads@kildarecoco.ie

No.	Revision	Date	By	Chk'd	App'd
PO1	S4 - ISSUED FOR APPROVAL	29.03.19	DQ	AOC	MK



Arena House, Arena Road, Sandyford, Dublin 18, Ireland
 t +353 (0) 1 294 0800
 f +353 (0) 1 294 0820
 www.rod.ie

Drawn	Designed	Checked	Approved	Suitability Code - Description
DQ	AOC	MK	MK	S4 - Stage Approval

Project Stage	Part 8 Planning				
Project Title	Maynooth Eastern Ring Road				
Drawing Title	CANAL AND RAILWAY BRIDGE SECTIONS				
Drawing Number	MERR	ROD	LSI	S01	DR - CB - 40002
Scale (A1)	AS SHOWN	Date:	April 2019	Job No:	18.109
				Rev:	P01

DO NOT SCALE USE FIGURED DIMENSIONS ONLY